

#### Note on English translation / Hinweise zur englischen Fassung

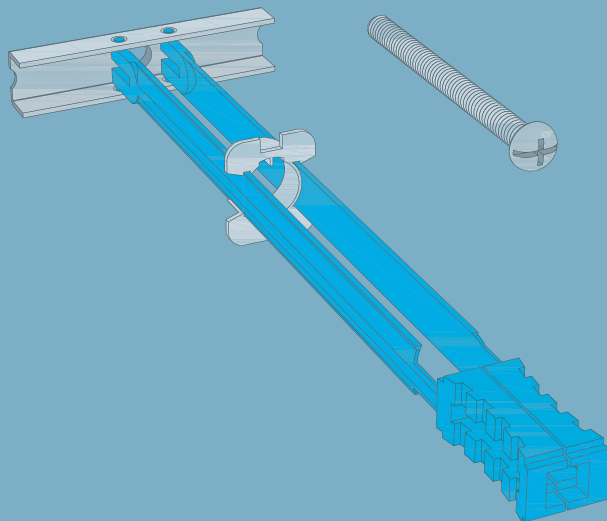
This is a translation of the technical data sheet valid in Germany.

All stated details and properties are in compliance with the regulations of the German standards and building regulations. They are only applicable for the specified products, system components, application rules, and construction details in connection with the specifications of the respective certificates and approvals.

Knauf Gips KG denies any liability for applications outside of Germany as this requires changes acc. to the respective national standards and building regulations.

# KNAUF

## K543



Drywall and Floor Systems

2009-02

## K543 Knauf Hartmut

Cavity dowel for drywall systems with a load capacity of up to 65 kg

# K543 Knauf Hartmut

Cavity dowel for drywall systems with a load capacity of up to 65 kg



## Product description

Hartmut is a cavity dowel consisting of metal and plastic including a suitable screw (M5x60).

Order information

50 pcs. pack

material no. 00131376

## Fields of application

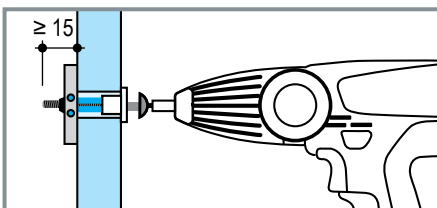
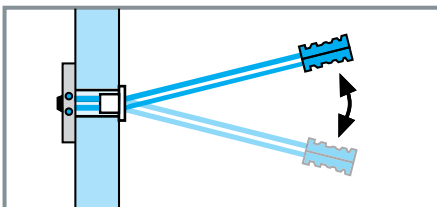
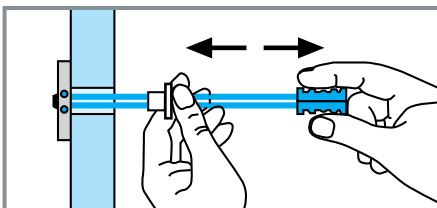
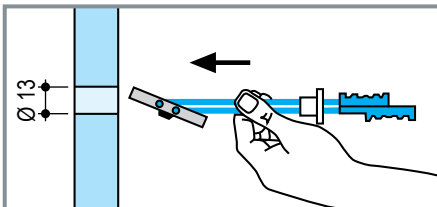
Fixing of loads

- on metal stud partitions and wood frame partitions with up to 65 kg per dowel
- on suspended ceilings with up to 6 kg per dowel and up to 6 kg per cladding span width and metre.

## Properties

- Easy and fast application
- High application reliability
- High load bearing capacity
- Reliable durability of load bearing capacity
- For all cladding thicknesses
- Variable application due to the attachment clips with click function

## Application



All dimension in mm

## Technical Data

Cladding thickness t mm	Load bearing capacity per dowel (tension and shear load) in drywall partitions	
	Knauf boards kg	Diamant kg
10	-	25
12.5	35	40
15 / 18	40	45
2x 10 / 20	45	55
2x 12.5 / 25	55	60
≥ 2x 15	60	65

### Maximum thickness of the item to be fixed

Length of screw	60 mm
minus cladding thickness	- d (mm)
minus anchoring length	- 15 mm
	<u>..... mm</u>

A longer screw M5 can be used if necessary (not included).

**Knauf Direct**  
Technical Advisory Service:

▶ Phone.: +49 9001 31-1000 \*

▶ Fax: +49 1805 31-4000 \*\*

▶ www.knauf.de

**Knauf Drywall and Floor Systems** Am Bahnhof 7, 97346 Iphofen, Germany

\* A rate of 0.39 € per minute will be charged for calls from within the German landline network. Callers whose phone numbers are not registered in the address database of Knauf Gips KG, i.e. private builders or non-patrons, will be charged a rate of 1.69 € per minute. Calls from mobile phones will be charged acc. to net provider and call rate.

\*\* 0.14 €/Min.

All technical changes reserved. Only the current printed instructions are valid. Our warranty is expressly limited to our products in flawless condition. All application quantities and delivery amounts are based on empirical data that are not easily transferable to other deviating areas. The stated information represents current state-of-the-art Knauf technology. The entire state of approved engineering rules, appropriate standards, guidelines, and rules of craftsmanship are not included herewith. These and all application instructions have to be adhered to separately by the installer. All rights reserved. All amendments, reprints and photocopies, including those of excerpts, require the express permission of Knauf Gips KG, Am Bahnhof 7, 97346 Iphofen, Germany. Delivery via professional building material distributors only, in accordance with our current business, delivery and payment terms.

